



## 5.56 X 45 MM (.223 REM)

BALL FMJ M193 - 3,56 g (55 gr)

### 5.56 x 45 mm FMJ

The cartridge consists of case, primer, gunpowder and bullet. It is applicable in extreme polar or desert conditions, contributing to the versatility of its use.

### 5.56 x 45 mm – FMJ bullet

The FMJ (Full Metal Jacket) bullet weighs 3.56 g (55 gr) and features a lead core for reliable penetration and performance. The jacket is made of CuZn10, providing durability and ensuring consistent performance.

### 5.56 x 45 mm – case

The caliber 5.56 x 45 mm CuZn30 case is intended for inserting the powder charge, primer and bullet.

# SPECIFICATIONS

## Technical Specification

### CARTRIDGE

Caliber	.223 REM
Weight	max 12.10 g
Length	max 57.40mm

### BULLET GRAIN

Type	FMJ, Ball
Weight	3.56 g ± 0.06 g (55 grain)
Length	max 19.5 mm
Material	Jacket - CuZn10; Core - Lead
Extraction	≤ 156 N

### CASE

Length	max 44.7 mm
Material	CuZn30

### PRIMER

Type	Boxer, non-corrosive, non-toxic
Propellant	Smokeless Powder (Double Base)
Waterproof	Sealant applied

ELECTRONIC PRESSURE AND VELOCITY (KIAG 6215)			
<b>Ammunition Temperature</b>	<b>+21°C ± 2°C</b>	<b>+52°C &amp; -54°C</b>	
<b>Velocity</b> (at 24 m, m/s)	$V = 965 \pm 12 \text{ m/s}$	Max Velocity Difference between +52°C/ -54°C and 21°C samples is not decreased more by 78m/s	
<b>Standard Deviation</b>	$\leq 12 \text{ m/s}$	No requirement	
<b>Max Corrected Mean Case Mouth Pressure, MPa</b>	$XCP + 3SD \leq 420 \text{ Mpa}$	Max case mouth difference between +52°C/ -54°C and 21°C samples is not increased by 38 Mpa	
<b>Max Corrected Mean Port Pressure, MPa</b>	$XPP = 99 \pm 14 \text{ Mpa}$	Max port pressure difference between +52°C/ -54°C and 21°C samples is $\pm 14 \text{ Mpa}$	
<b>Action Time</b> (ms)	$\leq 3 \text{ ms}$	No requirement	
<b>Muzzle Energy</b> (at 24 m, J)	$\leq 1500 \text{ J}$	No requirement	
<b>Precision</b> (at 183 m)	$Mr \leq 50.08 \text{ mm}$		
<b>Function and Casualty</b>	Permissible percentage of defects was not exceeded		
<b>Primer sensitivity critical high method</b> (run down)	Test ball $111.7 \pm 0.57 \text{ g}$	H +5 SD $\leq 450$	H - 2 SD $\leq 75$
<b>Waterproof test</b>	No more than 15% of the tested rounds have leaks		

Compatibility with: MIL-C-9963F, C.I.P.

PACKING	
<b>Micro</b>	20 rounds fiberboard box
<b>Makro</b>	540 rounds, ADR 1.4 S, UN0012 certified fiberboard case
<b>Weight (540 rounds)</b>	Net: 6.48 kg ( $\pm 0.04 \text{ kg}$ ) Gross: 6.84 kg ( $\pm 0.04 \text{ kg}$ ) NEQ: 0.93 kg
<b>Hazard class</b>	1.4 S
<b>UN Classification</b>	CARTRIDGES, SMALL ARMS

Packaging options are available based on the buyer's request. Cartridges can be supplied in standard outer cartons or, for an additional cost, in metal M2A1 boxes. All shipments are palletized, with boxes and pallets marked according to the customer's specifications.

**V** = Corrected velocity  
**XCP** = Corrected mean chamber pressure  
**XPP** = Corrected mean Port Pressure  
**Mr** = Mean radius

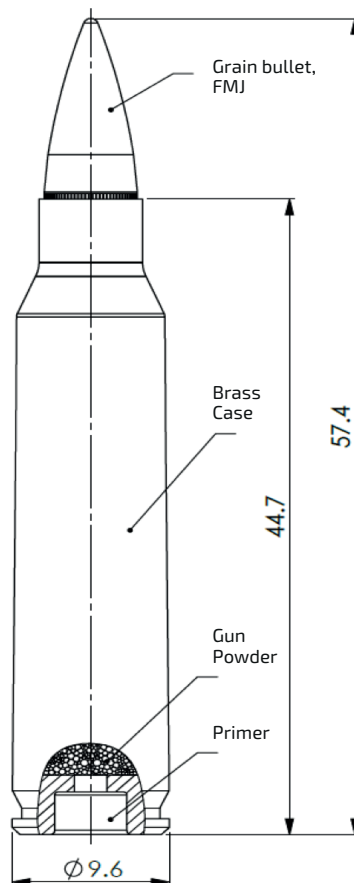
# Outsourcing Components

**ATS® Ammunition** has its own top-to-bottom manufacturing of a finished Product, an output of In-house made Machines, and produces 100% In-house Materials, Components and Tooling). ATS AMMO .223 Remington components (bullet, case, primer) are perfectly compact, customizable and *available for individual purchase*.


<b>PRIMER</b>
<b>No mercury</b>
CuZn30


<small>Case Length: max 44.70 mm</small>
<b>CASE</b> 5.56 x 45 mm
<b>Unprimed</b>
CuZn30


<small>Grain Bullet Length: max 19.5 mm</small>
<b>M193 FMJ BALL</b>
<b>3.56 g      55 grain</b>
CuZn10      Lead Core



**Image:** Components Layout (.223 Remington)  
Part number: 5561093; NSN 1305-54-000-0137